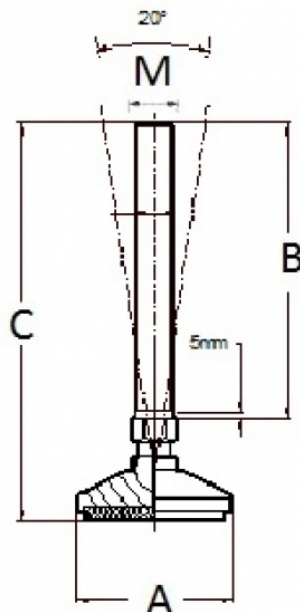


**A4X Stainless Steel Feet** - SERIES X087 Stainless Steel Foot



**Characteristics**

**Base Material:** Stainless Steel

**Base Type:** Antivibration

**Base Outfit:** NBR plate

**Spindle Material:** Stainless Steel

**Spindle Type:** Revolving

**Product Presentation:** Spindle assembled to the base

Code	A	B	C	M	Maximum Load daN	Packing Pcs.
A4X087/001	55	75	102	M12	750	4
A4X087/002	55	125	152	M12	750	4
A4X087/003	55	150	177	M12	750	4
A4X087/004	65	75	108	M16	1250	4
A4X087/005	65	125	158	M16	1250	4
A4X087/006	65	150	183	M16	1250	4
A4X087/010	75	125	166	M20	1750	4
A4X087/011	75	150	191	M20	1750	4
A4X087/012	75	200	241	M20	1750	4
A4X087/016	100	125	177	M24	2500	4
A4X087/017	100	150	202	M24	2500	4
A4X087/018	100	200	252	M24	2500	4