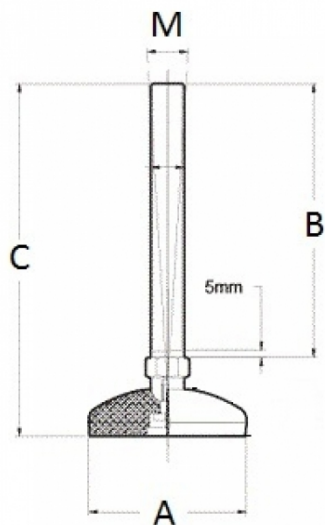


A4X Stainless Steel Feet - SERIES X105 Stainless Steel Foot



Characteristics

Base Material: Stainless Steel

Base Type: Antivibration

Base Outfit: NBR plate

Spindle Material: Stainless Steel

Spindle Type: Revolving

Product Presentation: Spindle assembled to the base

Code	A	B	C	M	Maximum Load daN	Packing Pcs.
A4X105/001	50	50	75	M10	350	4
A4X105/003	50	100	125	M10	350	4
A4X105/006	50	100	125	M12	350	4
A4X105/008	50	150	175	M12	350	4
A4X105/011	50	100	128	M16	350	4
A4X105/013	50	150	178	M16	350	4
A4X105/016	75	100	133	M16	750	4
A4X105/018	75	150	183	M16	750	4
A4X105/019	75	200	233	M16	750	4
A4X105/028	75	150	185	M20	750	4
A4X105/029	75	200	235	M20	750	4
A4X105/022	100	100	138	M16	1000	4
A4X105/024	100	150	188	M16	1000	4
A4X105/025	100	200	238	M16	1000	4
A4X105/033	100	150	191	M20	1000	4
A4X105/034	100	200	241	M20	1000	4
A4X105/036	100	150	193	M24	1000	4
A4X105/038	100	250	293	M24	1000	4